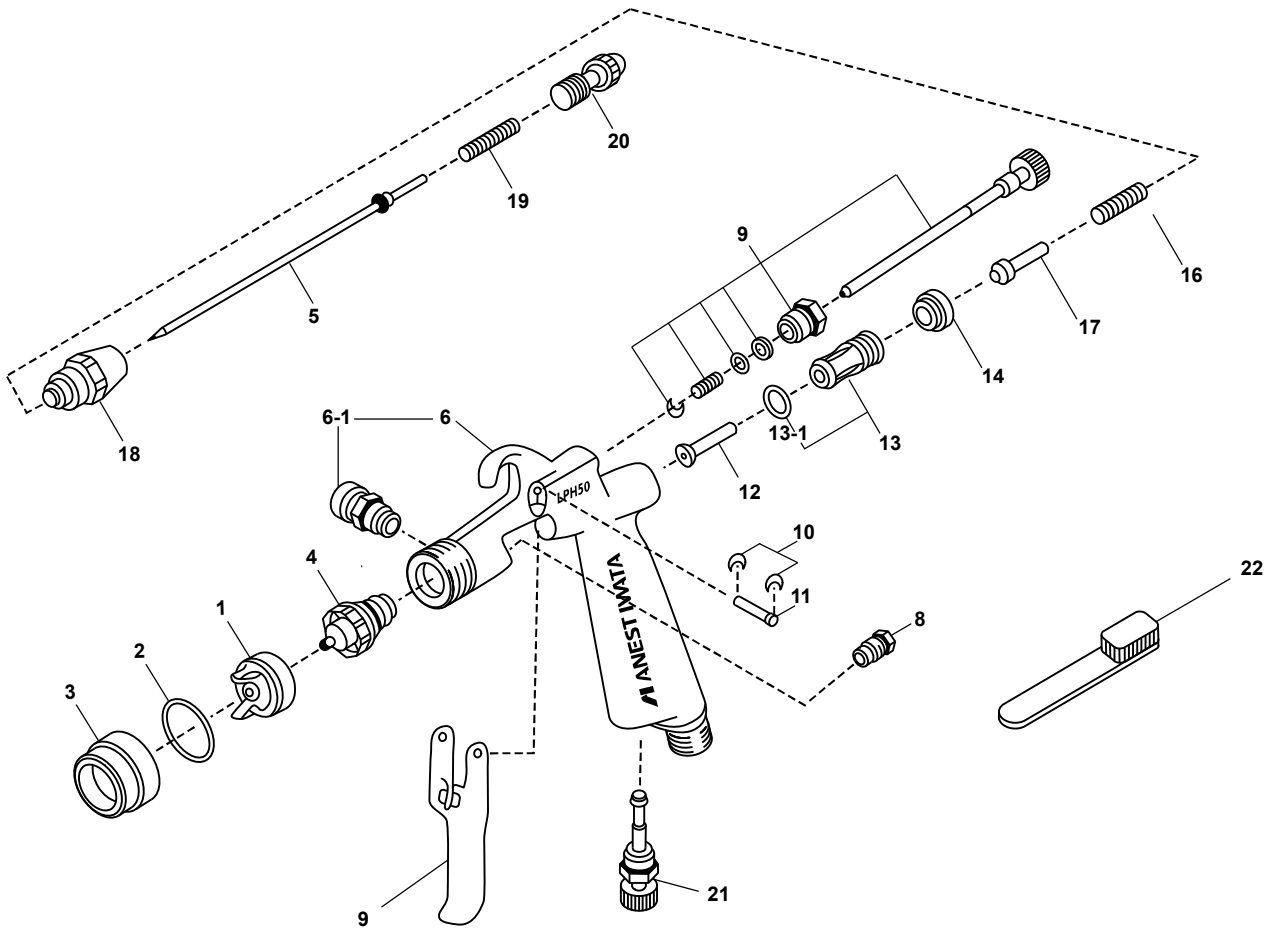


LPH50 HVLP Mini Spray Gun

GRAVITY SPRAY GUNS



ITEM NO.	PART NO.	DESCRIPTION	ITEM NO.	PART NO.	DESCRIPTION
1	93557600	Air Cap E2	10	93912030	E Stopper #
1	93662600	Air Cap E4	11	93167890	Trigger Stud
2	93558600	Air Cap Packing #	12	93006880	Air Valve Shaft
3	93559600	Cover Ring	13	93912880	Air Valve Seat Set
4	93570600	Fluid Nozzle (0.4mm)	13-1	96638005	O Ring #
4	93568600	Fluid Nozzle (0.6mm)	14	93011880	Air Valve Seat Set
4	93761530	Fluid Nozzle (0.8mm)	15	93888600	Pattern Adjustment Set
4	93560600	Fluid Nozzle (1.0mm)	16	93012880	Air Valve Spring
4	93760530	Fluid Nozzle (1.2mm)	17	93013880	Air Valve
5	93891600	Fluid Needle (0.4mm)	18	93936880	Fluid Adjustment Guide
5	93890600	Fluid Needle (0.6, 0.8mm)	19	93015880	Fluid Needle Spring
5	93886600	Fluid Needle (1.0, 1.2mm)	20	93017880	Fluid Adjustment Knob
6-1	93005891	Fluid Nipple	21	93845531	Air Adjustment Set
8	93940890	Needle Packing with Nut #	22	96990600	Brush
9	93162890	Trigger		LPH50RSK	Reservice Kit includes item marked #

Anest Iwata Australia
1300 277 729 www.anest-iwata.com.au

10/2017

Updated April 2017