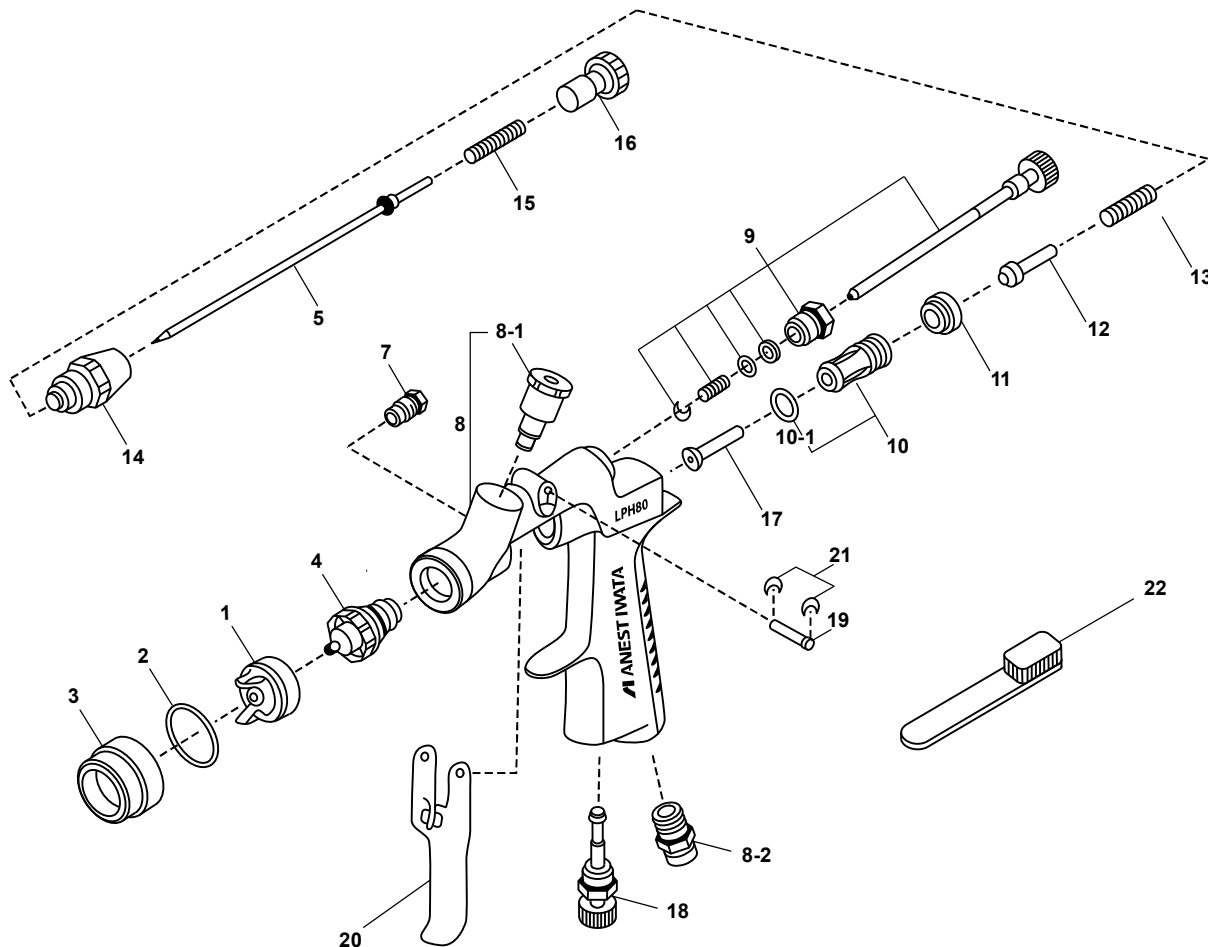


LPH80 HVLP Mini Spray Gun

GRAVITY SPRAY GUNS



ITEM NO.	PART NO.	DESCRIPTION	ITEM NO.	PART NO.	DESCRIPTION
1	93557600	Air Cap E2	10	93912880	Air Valve Seat Set
1	93662600	Air Cap E4	10-1	96638005	O Ring #
2	93558600	Air Cap Packing #	11	93011880	Air Valve Seat Screw
3	93559600	Cover Ring	12	93013880	Air Valve
4	93570600	Fluid Nozzle (0.4mm)	13	93012880	Air Valve Spring
4	93568600	Fluid Nozzle (0.6mm)	14	93936880	Fluid Adjustment Guide Set
4	93761530	Fluid Nozzle (0.8mm)	15	93015880	Fluid Needle Spring
4	93560600	Fluid Nozzle (1.0mm)	16	93754530	Fluid Adjustment Knob
4	93760530	Fluid Nozzle (1.2mm)	17	93006880	Air Valve Shaft
5	93891600	Fluid Needle (0.4mm)	18	93845531	Air Adjustment Set
5	93890600	Fluid Needle (0.6, 0.8mm)	19	93167890	Trigger Stud
5	93886600	Fluid Needle (1.0, 1.2mm)	20	93162890	Trigger
7	93940890	Needle Packing with Nut #	21	93912030	E Stopper #
8-1	93753530	Fluid Nipple	22	96990600	Brush
8-2	93660300	Air Nipple		LPH80RSK	Reservice Kit includes items marked #
9	93748530	Pattern Adjustment Set			

Anest Iwata Australia
1300 277 729
www.anest-iwata.com.au

10/2017

Updated April 2017