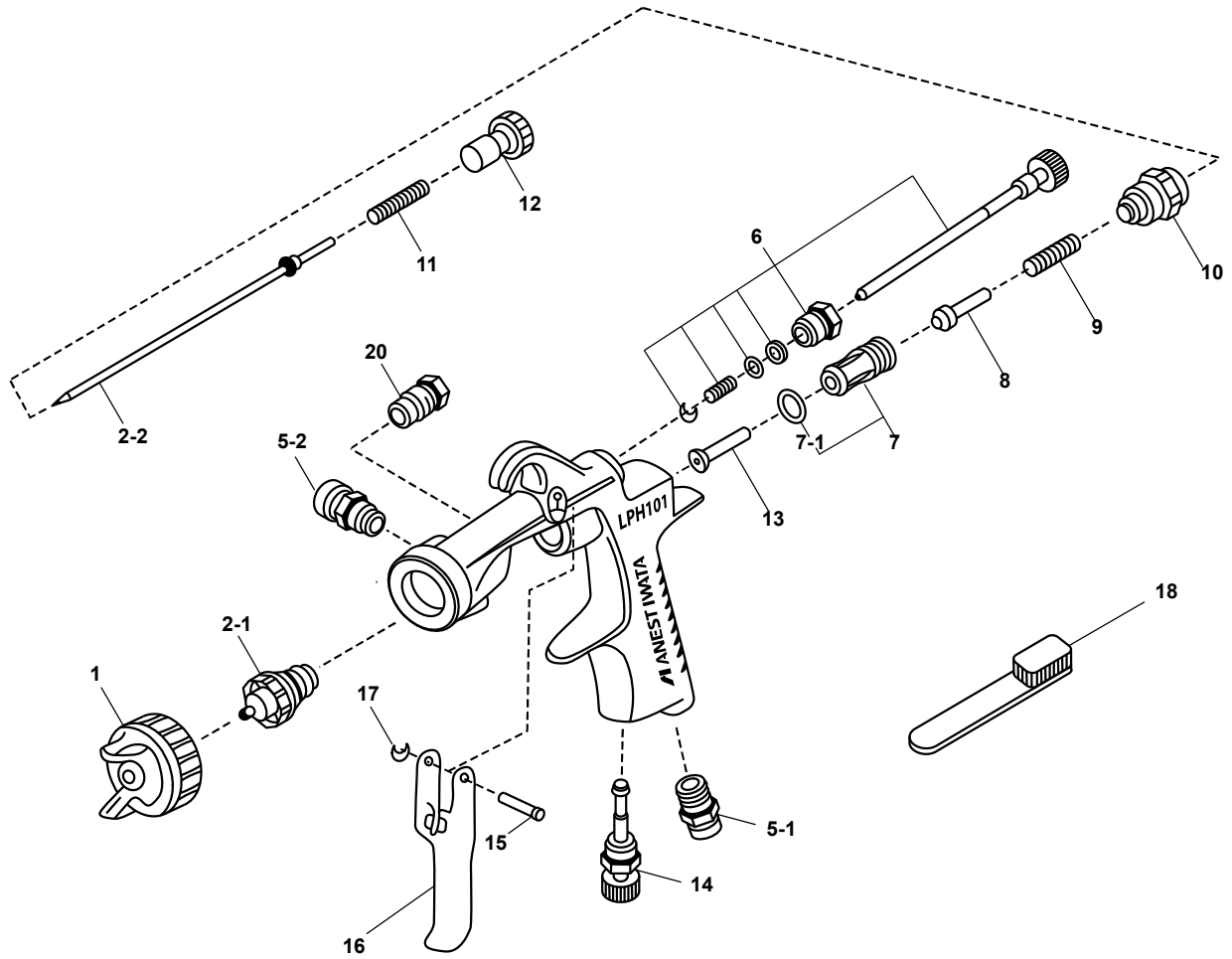


LPH101 HVLP Compact Spray Gun

GRAVITY SPRAY GUNS



Anest Iwata Australia
1300 277 729 www.anest-iwata.com.au

10/2017

ITEM NO.	PART NO.	DESCRIPTION	ITEM NO.	PART NO.	DESCRIPTION
1	93875602	Air Cap Set LV4	9	93719530	Air Valve Spring
2-1	93544600	Fluid Nozzle (1.2mm)	10	93844532	Fluid Adjustment Guide Set
2-1	93542600	Fluid Nozzle (1.4mm)	11	93593530	Fluid Needle Spring
2-1	93545600	Fluid Nozzle (1.6mm)	12	93594532	Fluid Adjustment Knob
2-2	93537600	Fluid Needle (1.2mm)	13	93935430	Air Valve Shaft
2-2	93578530	Fluid Needle (1.4, 1.6mm)	14	93845531	Air Adjustment Assembly
5-1	93660300	Air Nipple	15	93667360	Trigger Stud
5-2	93584530	Fluid Nipple	16	93597530	Trigger
6	93842531	Pattern Adjustment Set	17	93912030	E Stopper Pkt 2
7	93843530	Air Valve Seat Set	18	96990600	Brush
7-1	96638008	O Ring	20	93765610	Needle Packing with Nut #
8	93591530	Air Valve		W101RSK	Reservice Kit includes items marked #

Updated April 2017