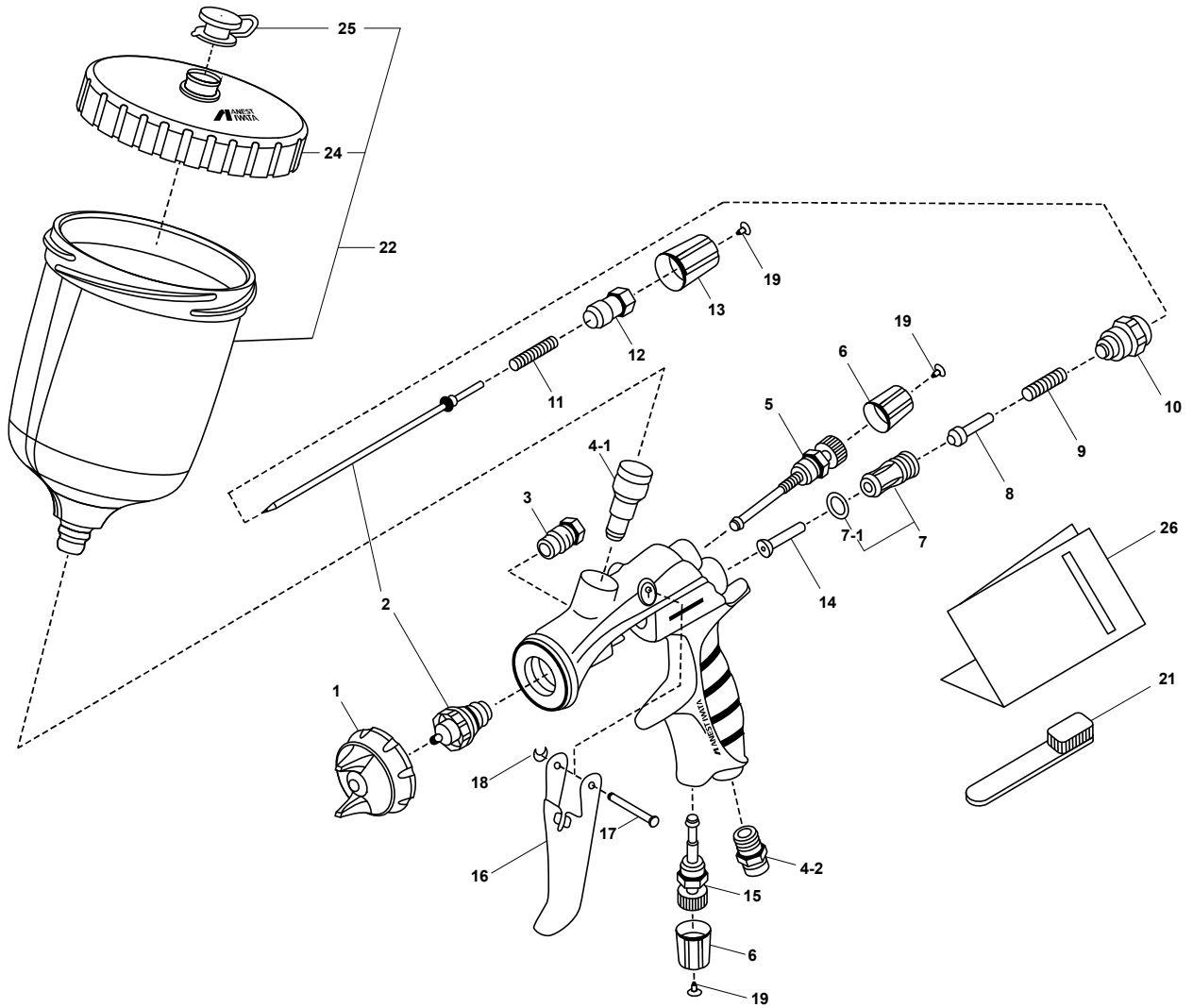


LS400 Entech HVLP Spray Gun

GRAVITY SPRAY GUNS



Anest Iwata Australia
 1300 277 729
www.anest-iwata.com.au

ITEM NO.	PART NO.	DESCRIPTION	ITEM NO.	PART NO.	DESCRIPTION
1	93512100	Air Cap Set LS400 Entech 05	10	93505490	Fluid Adjustment Guide
1a	93505330	Air Cap Packing - White #	11	93593530	Fluid Needle Spring
1b	93505341	Air Cap Packing - Black #	12	93505822	Fluid Adjustment Screw Assembly
2	93512140	Nozzle / Needle Set (1.2mm)	13	93512730	Fluid Adjustment Knob (Green)
2	93512160	Nozzle / Needle Set (1.3mm)	14	93935430	Air Valve Shaft
2	93512190	Nozzle / Needle Set (1.4mm)	15	93505842	Air Adjustment Assembly
2	93512210	Nozzle / Needle Set (1.5mm)	16	93505850	Trigger
3	93765610	Needle Packing with Nut #	17	93505860	Trigger Stud
4-1	93505421	Fluid Nipple	18	96612025	E Stopper
4-2	93660300	Air Nipple	19	93506970	Torque Screw (Silver)
5	93505432	Pattern Adjustment Assembly	21	96990600	Brush
6	93512290	Pattern / Air Adjustment Knob (Green)	22	PCG.600P2	600ml Gravity Pot
7	93843530	Air Valve Assembly		94011040	Filter
7-1	96638008	O Ring #	24	94011020	Lid Only
8	93505480	Air Valve	25	94011030	Lid Knob
9	93719530	Air Valve Spring		WS400RSK	Reservice Kit includes items mark #

Updated April 2017