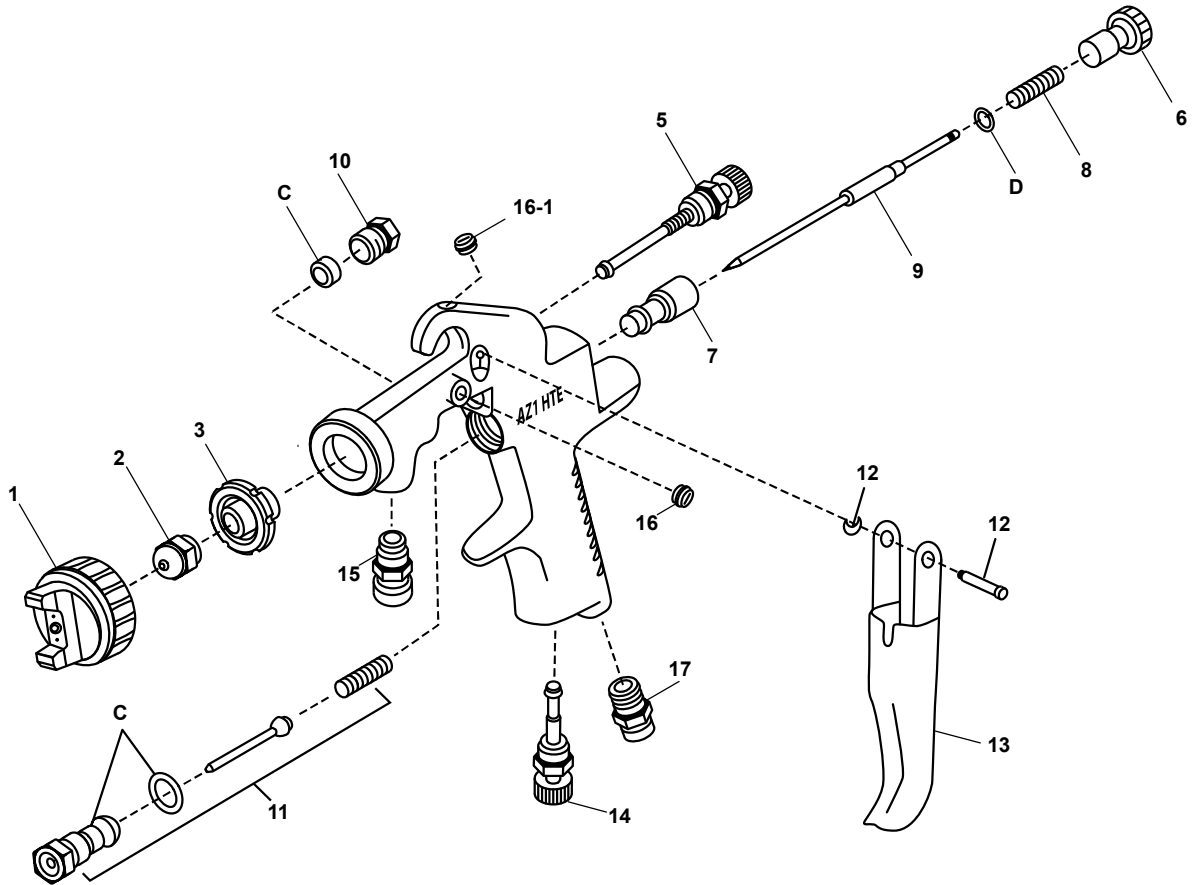


AZ1 - Concept HTE Spray Gun

SUCTION SPRAY GUNS



Anest Iwata Australia
1300 277 729 www.anest-iwata.com.au

ITEM NO.	PART NO.	DESCRIPTION	ITEM NO.	PART NO.	DESCRIPTION
1	W2CAP70AG13	P0 Suction Feed Aircap (1.0 - 2.0mm)	7	W2010140900	Needle Adjustment Guide
1	W2CAP70AG25	P3 Suction / Pressure Aircap (2.5 - 3.5mm)	8	W2010140800	Needle Spring
2 +9	W2ADU83AG10	Suction Needle / Nozzle Set (1.0mm)	10	W2010140600	Needle Packing Nut
2 +9	W2ADU83AG13	Suction Needle / Nozzle Set (1.3mm)	11	W2010120100	Air Valve Set
2 +9	W2ADU83AG15	Suction Needle / Nozzle Set (1.5mm)	12	W2COM4001	Trigger Stud
2 +9	W2ADU83AG18	Suction Needle / Nozzle Set (1.8mm)	13	W2COM6051	Trigger
2 +9	W2ADU83AG20	Suction Needle / Nozzle Set (2.0mm)	14	93845531	Air Adjustment Set
2 +9	W2ADU83AG25	Suction Needle / Nozzle Set (2.5mm)	15	W2COM5048	Fluid Nipple (3/8")
2 +9	W2ADU83AG30	Suction Needle / Nozzle Set (3.0mm)	16	W2COM5004	Screw
2 +9	W2ADU83AG35	Suction Needle / Nozzle Set (3.5mm)	16-1	W2COM6050	Plug
3	W3COM3052	Nozzle Holder	17	W2COM5000	Air Nipple (1/4")
5	93842601	Pattern Adjustment Set	C&D	AZ3RSK	AZ3 / AZ1 Reservice Kit
6	W2010141000	Fluid Needle Adjustment Knob		PCL.10B3	Suction Pot 1 Litre

Updated April 2017