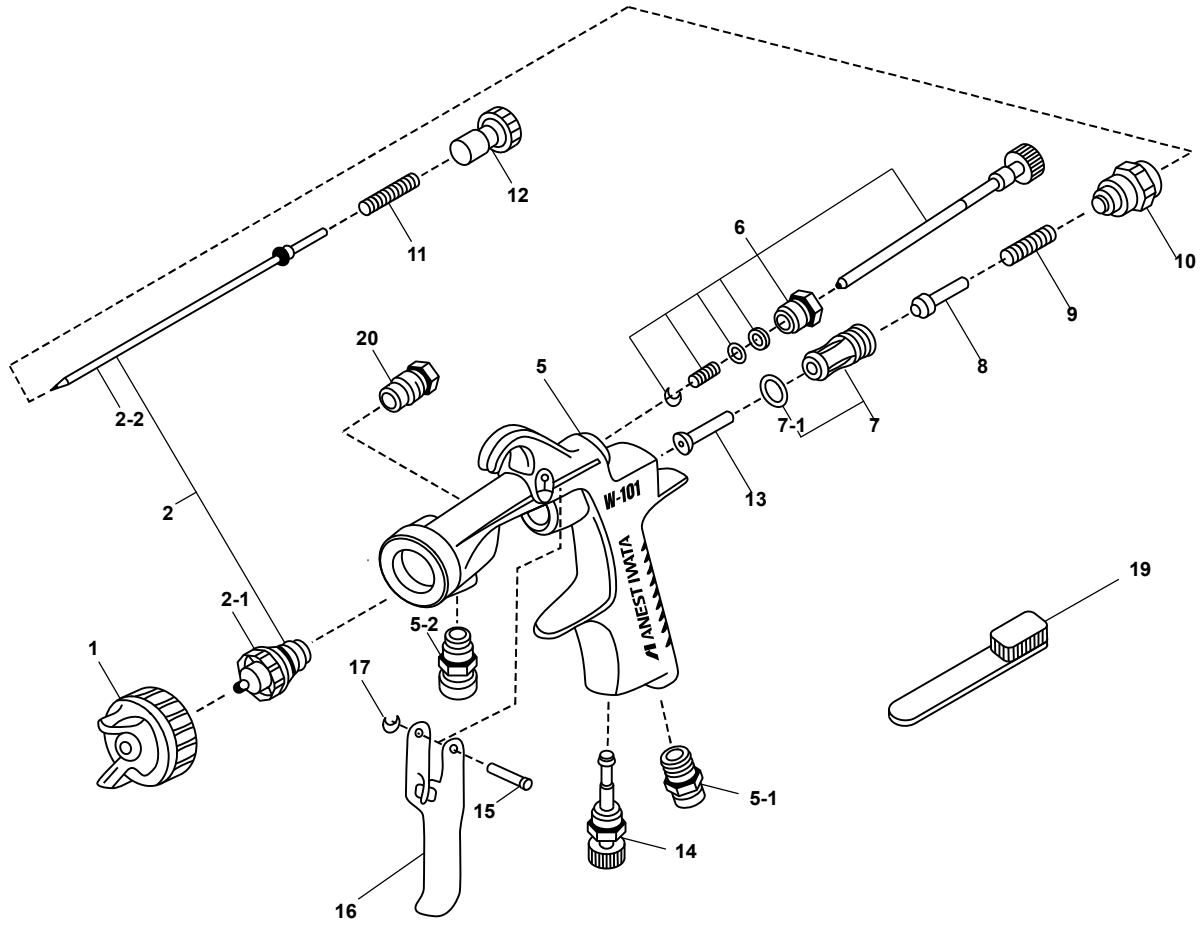


W101 - High TEC Compact Gun

SUCTION SPRAY GUNS



ITEM NO.	PART NO.	DESCRIPTION	ITEM NO.	PART NO.	DESCRIPTION
1	93696610	Air Cap H2 (1.3, 1.5mm)	6	93842531	Pattern Adjustment Set
1	93689610	Air Cap E1 (1.0mm)	7	93843530	Air Valve Seat Set
1	93735610	Air Cap K1 (1.3, 1.5mm)	7-1	96638008	O Ring #
1	93662610	Air Cap H4 (1.3mm)	8	93591530	Air Valve
1	93700610	Air Cap N1 (1.8mm)	9	93719530	Air Valve Spring
1a	93576530	Air Cap Packing - Black #	10	93844532	Fluid Adjustment Guide
1b	93608320	Air Cap Packing - White #	11	93593530	Fluid Needle Spring
2-1	93692610	Fluid Nozzle (1.0mm)	12	93594532	Fluid Adjustment Knob
2-1	93667610	Fluid Nozzle (1.3mm)	13	93935430	Air Valve Shaft
2-1	93699610	Fluid Nozzle (1.5mm)	14	93845531	Air Adjustment Set
2-1	93703610	Fluid Nozzle (1.8mm)	15	93667360	Trigger Stud
2-2	93578530	Fluid Needle (1.3, 1.5mm)	16	93597530	Trigger
2-2	93537600	Fluid Needle (1.0mm)	17	93912030	E Stopper Pkt 2 #
2-2	93703530	Fluid Needle (1.8mm)	18	96990600	Cleaning Brush
5-1	93660300	Air Nipple	20	93765610	Needle Packing with Nut #
5-2	93584530	Fluid Nipple		W101RSK	Reservice Kit includes items marked #

Anest Iwata Australia
1300 277 729 www.anest-iwata.com.au