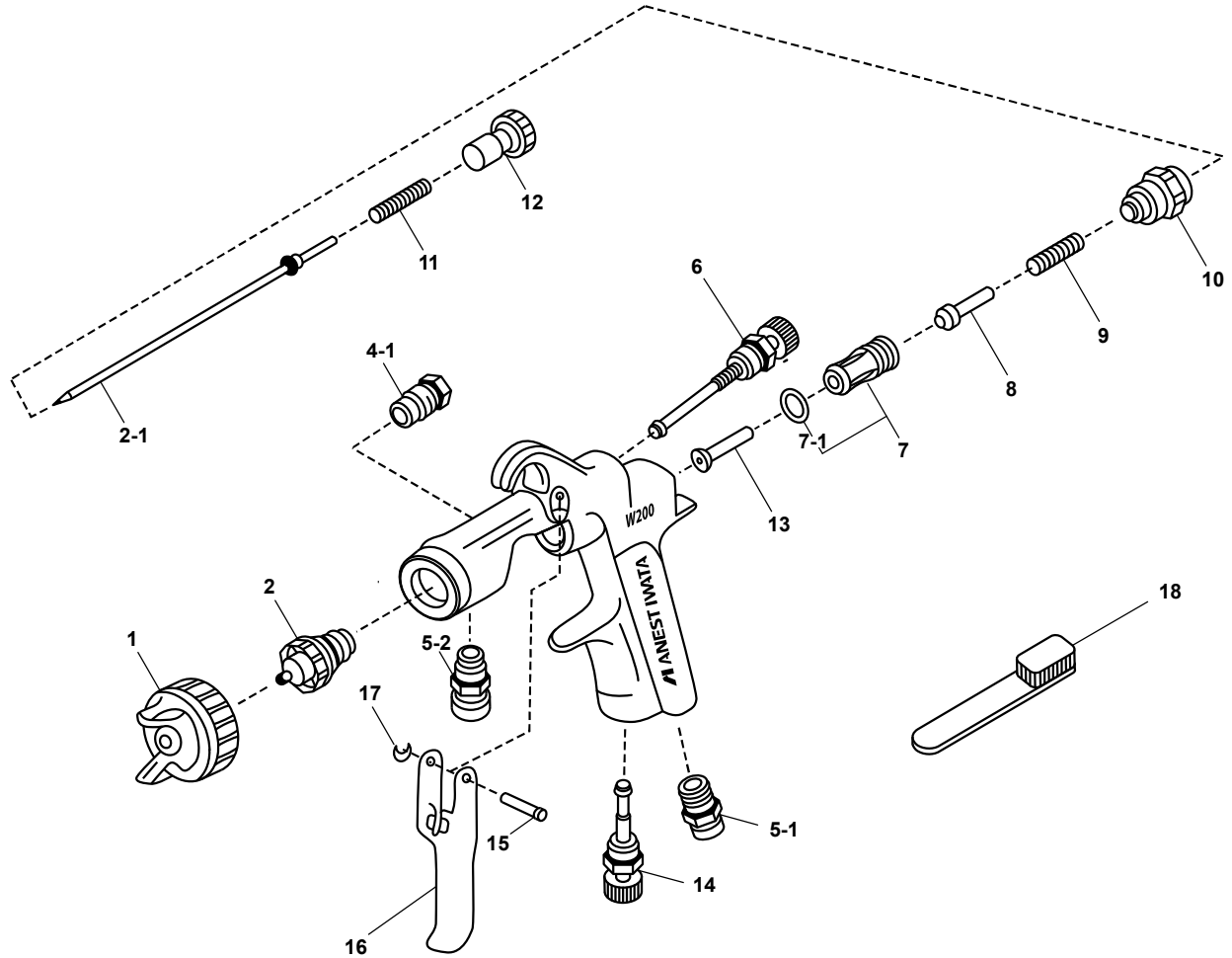


# W200 - High TEC Spray Gun

SUCTION SPRAY GUNS



ITEM NO.	PART NO.	DESCRIPTION	ITEM NO.	PART NO.	DESCRIPTION
1	93817611	Air Cap Set K1 (1.5, 1.8mm)	5-2	93515600	Fluid Nipple
1	93816611	Air Cap Set K2 (1.5, 1.8mm)	6	93840601	Fan Pattern Adjustment Set
1	93815611	Air Cap Set R1 (2.0mm)	7	93843530	Air Valve Seat Set
1	93814611	Air Cap Set R2 (2.0mm)	7-1	96638008	O Ring #
1	93813611	Air Cap Set W1 (2.5mm)	8	93591530	Air Valve
1a	93512600	Air Cap Packing - Black #	9	93719530	Air Valve Spring
1b	93708240	Air Cap Packing - White #	10	93844532	Fluid Adjustment Guide
2	93526610	Fluid Nozzle (1.5mm)	11	93593530	Fluid Needle Spring
2	93525610	Fluid Nozzle (1.8mm)	12	93594532	Fluid Adjustment Knob
2	93524610	Fluid Nozzle (2.0mm)	13	93935430	Air Valve Shaft
2	93523610	Fluid Nozzle (2.5mm)	14	93845531	Air Adjustment Set
2-1	93830600	Fluid Needle (1.5mm)	15	93667360	Trigger Stud
2-1	93831600	Fluid Needle (1.8, 2.0mm)	16	93517600	Trigger
2-1	93832600	Fluid Needle (2.5mm)	17	93912030	E Stopper #
4-1	93765610	Needle Packing with Nut #	18	96990600	Brush
5-1	93660300	Air Hose Joint		W200RSK	Reservice Kit includes items marked #

Anest Iwata Australia  
1300 277 729 www.anest-iwata.com.au

10/2017

Updated April 2017